

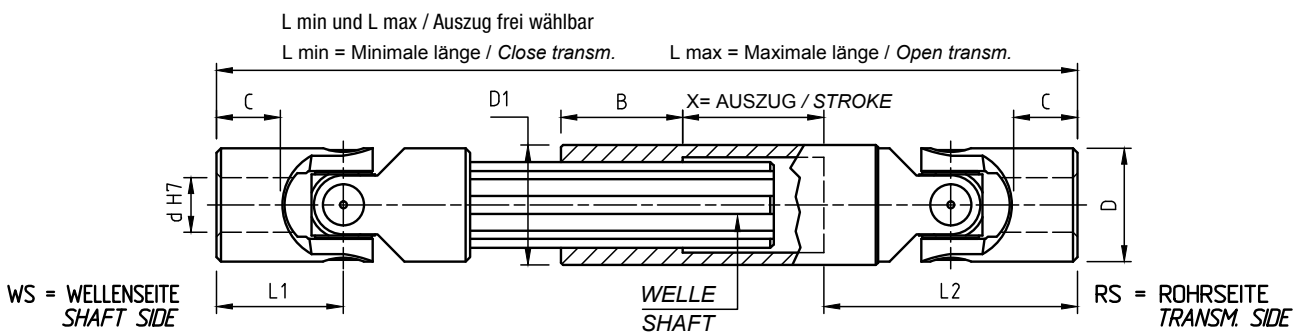
Material: 11SMnPb37  
 Working angle: max. 90°  
 Speed: max. 1,000 rpm

**EXTENSIBLE TRANSMISSION**  
 (customised lengths)

Our extensible transmissions of series **G** are assembled almost without any backlash. Hardened slide bearing bushes as well as hardened pins are causing a high abrasion resistance and robustness.



on request  
 nickel plated



Type	d	D	D1	L2	L1	C	B	a	b	V	SKT	Shaft profile
GA16K	6	16	16	34	17	8	25	2	7	6	6	SKT8
GA16K1	8	16	16	40	20	11	25	2	9	8	8	SKT8
GA22K	10	22	22	48	24	12	30	3	11,4	10	10	06x11x14
GA25K	12	25	26	56	28	13	40	4	13,8	12	12	06x13x16
GA28K	14	28	29	60	30	14	40	5	16,3	14	14	06x13x16
GA32K	16	32	32	68	34	16	40	5	18,3	16	16	06x16x20
GA36K	18	36	37	74	37	17	40	6	20,8	18	18	06x18x22
GA42K	20	42	42	82	41	18	45	6	22,8	20	20	06x21x25
GA45K	22	45	47	95	47,5	22	45	6	24,8	22	22	06x23x28
GA50K	25	50	52	108	54	26	45	8	28,3	25	25	06x26x32
GA58K	30	58	58	122	61	29	50	8	33,3	30	30	08x32x38
GA58K1	32	58	58	130	65	33	50	10	35,3	30	30	08x32x38
GA70K	35	70	70	140	70	33	70	10	38,3	**	**	08x36x42
GA80K	40	80	80	160	80	38	80	12	43,3	**	**	08x42x48
GA95K	50	95	95	190	85	46	90	14	53,8	**	**	08x46x54
GA16L	10	16	16	46	26	15	25	3	11,4	8	8	SKT8
GA22L	12	22	22	55	31	18	30	4	13,8	10	10	06x11x14
GA25L	16	25	26	65	37	21	40	5	18,3	12	12	06x13x16
GA32L	20	32	32	77	43	24	40	6	22,8	16	16	06x16x20
GA42L	25	42	42	95	54	31	45	8	28,3	20	20	06x21x25
GA50L	30	50	52	120	66	38	45	8	33,3	25	25	06x26x32
GA70L	40	70	70	153	83	46	70	12	43,3	**	**	08x36x42

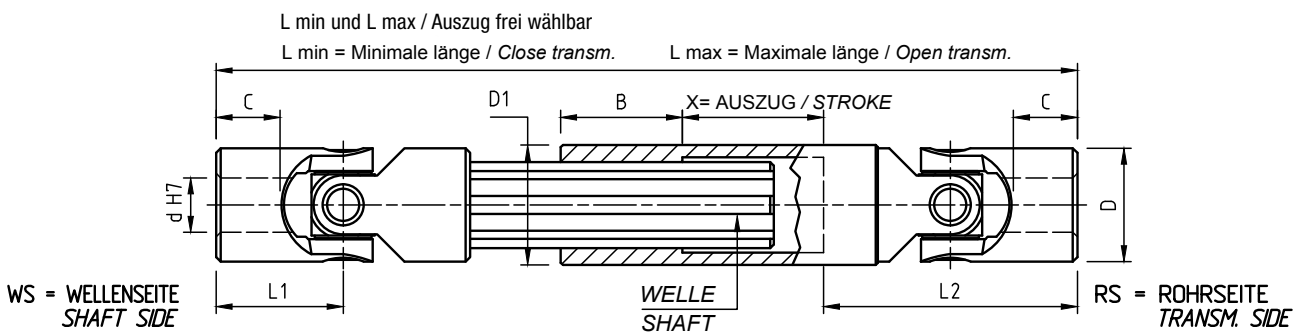
Material: 11SMnPb37  
 Working angle: max. 90°  
 Speed: max. 4,000 rpm

**EXTENSIBLE TRANSMISSION**  
 (customised lengths)

Our extensible transmissions of series W with needle bearings are assembled almost without any backlash. The advantages of this version result in a **higher max. speed** and the due to the lubricated and sealed needle bearings they are **maintenance free**.



on request  
 nickel plated



Type	d	D	D1	L2	L1	C	B	a	b	v	SKT	Shaft profile	
short version	WA22K	10	22	22	48	24	12	30	3	11,4	10	10	06x11x14
	WA25K	12	25	26	56	28	13	40	4	13,8	12	12	06x13x16
	WA28K	14	28	29	60	30	14	40	5	16,3	14	14	06x13x16
	WA32K	16	32	32	68	34	16	40	5	18,3	16	16	06x16x20
	WA36K	18	36	37	74	37	17	40	6	20,8	18	18	06x18x22
	WA42K	20	42	42	82	41	18	45	6	22,8	20	20	06x21x25
	WA45K	22	45	47	95	47,5	22	45	6	24,8	22	22	06x23x28
	WA50K	25	50	52	108	54	26	45	8	28,3	25	25	06x26x32
	WA58K	30	58	58	122	61	29	50	8	33,3	30	30	08x32x38
	WA58K1	32	58	58	126	63	33	50	10	35,3	30	30	08x32x38
long version	WA70K	35	70	70	140	70	33	70	10	38,3	**	**	08x36x42
	WA80K	40	80	80	160	80	38	80	12	43,3	**	**	08x42x48
	WA95K	50	95	95	190	85	46	90	14	53,8	**	**	08x46x54
	WA22L	12	22	22	55	31	18	30	4	13,8	10	10	06x11x14
	WA25L	16	25	26	65	37	21	40	5	18,3	12	12	06x13x16
	WA32L	20	32	32	77	43	24	40	6	22,8	16	16	06x16x20
	WA42L	25	42	42	95	54	31	45	8	28,3	20	20	06x21x25
WA50L	30	50	52	120	66	38	45	8	33,3	25	25	06x26x32	
WA70L	40	70	70	155	83	46	70	12	43,3	**	**	08x36x42	

Material: 11SMnPb37  
 Working angle: max. 90°  
 Speed: max. 1,000 rpm

**EXTENSIBLE TRANSMISSION**  
 (standard lengths)

Our extensible transmissions of series **G** are assembled almost without any backlash. Hardened slide bearing bushes as well as hardened pins are causing a high abrasion resistance and robustness.



on request  
 nickel plated

Short version with keyway

Type	L min.	L max.	kg	Art. No.
GA22K N10x22-G	140	170	0,31	1030221010
	160	200	0,36	1030221015
	180	240	0,38	1030221020
	230	330	0,50	1030221025
GA25K N12x25-G	160	190	0,50	1030251210
	180	225	0,56	1030251215
	200	270	0,62	1030251220
	220	300	0,67	1030251223
	250	355	0,76	1030251226
	280	420	0,84	1030251229
GA28K N14x28-G	170	200	0,62	1030281410
	180	220	0,64	1030281415
	200	260	0,72	1030281418
	220	300	0,78	1030281420
	250	350	0,87	1030281423
	280	420	0,96	1030281426
	300	450	1,03	1030281429
	350	550	1,17	1030281432
GA32K N16x32-G	190	220	0,90	1030321610
	210	250	0,98	1030321615
	240	320	1,10	1030321620
	250	350	1,14	1030321623
	275	390	1,24	1030321626
	300	430	1,33	1030321629
	380	590	1,60	1030321632
	400	630	1,73	1030321635
GA36K N18x36-G	230	280	1,35	1030361810
	250	320	1,46	1030361815
	270	370	1,55	1030361818
	290	400	1,66	1030361820
	300	415	1,71	1030361823
	400	620	2,23	1030361826
	500	720	2,75	1030361829

Short version with keyway

Type	L min.	L max.	kg	Art. No.
GA42K N20x42-G	250	300	1,99	1030422010
	270	340	2,12	1030422015
	290	380	2,25	1030422018
	320	440	2,46	1030422020
	380	560	2,86	1030422023
	420	640	3,13	1030422026
GA45K N22x45-G	500	800	3,66	1030422029
	250	280	2,35	1030452205
	270	320	2,51	1030452210
	290	350	2,67	1030452215
	330	430	3,00	1030452220
GA50K N25x50-G	350	470	3,16	1030452223
	470	710	4,13	1030452226
	295	345	3,39	1030502510
GA58K N30x58-G	310	375	3,52	1030502515
	350	450	3,92	1030502520
	380	500	4,20	1030502523
	420	590	4,59	1030502526
	460	660	4,98	1030502529
	500	745	5,37	1030502532
	330	380	4,90	1030583010
	350	420	5,17	1030583015
370	455	5,42	1030583018	
400	510	5,85	1030583020	
450	620	6,48	1030583023	
500	720	7,14	1030583026	
540	795	7,69	1030583029	

Customised lengths and customised bores are configurable according data sheet "customised lengths".

Material: **11SMnPb37**  
 Working angle: **max. 90°**  
 Speed: **max. 1,000 rpm**

**EXTENSIBLE TRANSMISSION**  
 (standard lengths)

Our extensible transmissions of **series G** are assembled almost without any backlash. Hardened **slide bearing bushes** as well as hardened pins are causing a **high abrasion resistance** and **robustness**.



on request  
 nickel plated

Type	Description	L min.	L max.	kg	Art. No.
GA16K1	10x16-G	150	200	0,23	1031161000
	N10x16-G	150	200	0,23	1031161010
GA22K	12x22-G	190	250	0,38	1031221200
	N12x22-G	190	250	0,38	1031221210
GA25L	16x25L-G	230	300	0,66	1031251600
	N16x25L-G	230	300	0,66	1031251610
GA32L	20x32L-G	270	350	1,22	1031322000
	N20x32L-G	270	350	1,22	1031322010
GA42L	25x42L-G	400	500	2,72	1031422500
	N25x42L-G	400	500	2,72	1031422510
GA50L	30x50L-G	500	650	5,35	1031503000
	N30x50L-G	500	650	5,35	1031503010

Customised lengths and customised bores are configurable according data sheet "customised lengths".

Material: 11SMnPb37  
 Working angle: max. 90°  
 Speed: max. 4,000 rpm

**EXTENSIBLE TRANSMISSION**  
 (standard lengths)

Our extensible transmissions of series W with needle bearings are assembled almost without any backlash. The advantages of this version result in a **higher max. speed** and the due to the lubricated and sealed needle bearings they are **maintenance free**.



on request  
 nickel plated

Short version with keyway

Type	L min.	L max.	kg	Art. No.
WA22K N10x22-W	140	170	0,31	1040221010
	160	200	0,36	1040221015
	180	240	0,38	1040221020
	230	330	0,50	1040221025
WA25K N12x25-W	160	190	0,50	1040251210
	180	225	0,56	1040251215
	200	270	0,62	1040251220
	220	300	0,67	1040251223
	250	355	0,76	1040251226
	280	420	0,84	1040251229
WA28K N14x28-W	170	200	0,62	1040281410
	180	220	0,64	1040281415
	200	260	0,72	1040281418
	220	300	0,78	1040281420
	250	350	0,87	1040281423
	280	420	0,96	1040281426
	300	450	1,03	1040281429
	350	550	1,17	1040281432
WA32K N16x32-W	190	220	0,90	1040321610
	210	250	0,98	1040321615
	240	320	1,10	1040321620
	250	350	1,14	1040321623
	275	390	1,24	1040321626
	300	430	1,33	1040321629
	380	590	1,60	1040321632
	400	630	1,73	1040321635
WA36K N18x36-W	230	280	1,35	1040361810
	250	320	1,46	1040361815
	270	370	1,55	1040361818
	290	400	1,66	1040361820
	300	415	1,71	1040361823
	400	620	2,23	1040361826
	500	720	2,75	1040361829

Short version with keyway

Type	L min.	L max.	kg	Art. No.
WA42K N20x42-W	250	300	1,99	1040422010
	270	340	2,12	1040422015
	290	380	2,25	1040422018
	320	440	2,46	1040422020
	380	560	2,86	1040422023
	420	640	3,13	1040422026
WA45K N22x45-W	250	280	2,35	1040452205
	270	320	2,51	1040452210
	290	350	2,67	1040452215
	330	430	3,00	1040452220
	350	470	3,16	1040452223
	470	710	4,13	1040452226
WA50K N25x50-W	295	345	3,39	1040502510
	310	375	3,52	1040502515
	350	450	3,92	1040502520
	380	500	4,20	1040502523
	420	590	4,59	1040502526
	460	660	4,98	1040502529
	500	745	5,37	1040502532
WA58K N30x58-G	330	380	4,90	1040583010
	350	420	5,17	1040583015
	370	455	5,42	1040583018
	400	510	5,85	1040583020
	450	620	6,48	1040583023
	500	720	7,14	1040583026
	540	795	7,69	1040583029

Customised lengths and customised bores are configurable according data sheet "customised lengths".

Material: **11SMnPb37**  
 Working angle: **max. 90°**  
 Speed: **max. 4,000 rpm**

**EXTENSIBLE TRANSMISSION**  
 (standard lengths)

Our extensible transmissions of **series W** with **needle bearings** are assembled almost without any backlash. The advantages of this version result in a **higher max. speed** and the due to the lubricated and sealed needle bearings they are **maintenance free**.



on request  
 nickel plated

Short version with keyway

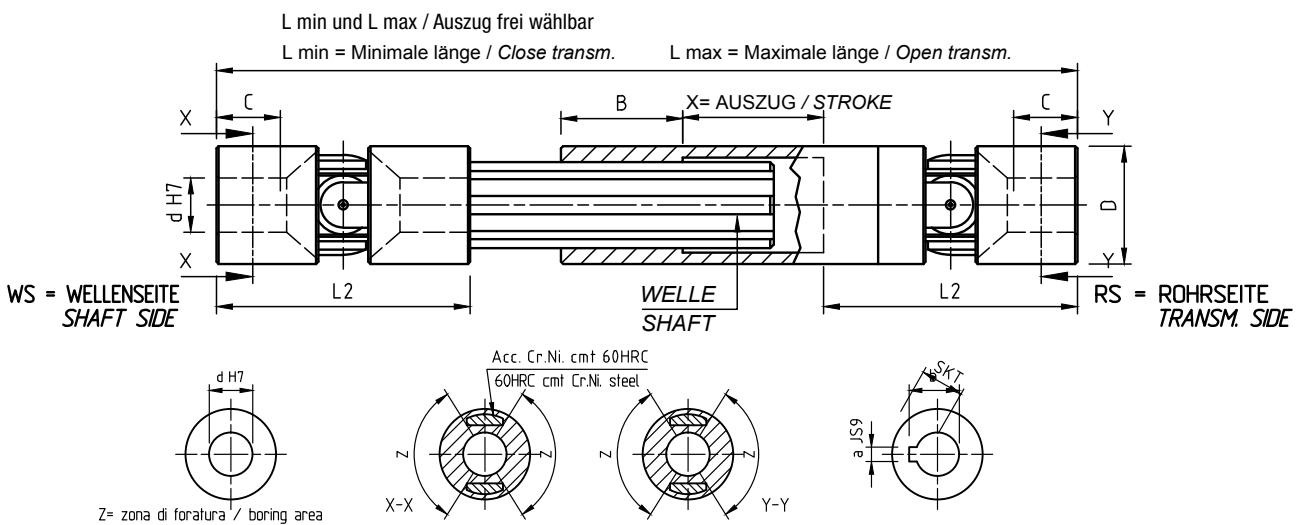
Type	Description	L min.	L max.	kg	Art. No.
WA22K	10x22-W	190	250	0,34	1041221000
	N10x22-W	190	250	0,34	1041221001
WA25K	12x25-W	212	282	0,63	1041251200
	N12x25-W	212	282	0,63	1041251201
WA32K	16x32-W	252	332	1,11	1041321600
	N16x32-W	252	332	1,11	1041321601
WA42K	20x42-W	374	474	2,30	1041422000
	N20x42-W	374	474	2,30	1041422001
WA50K	25x50-W	473	623	5,15	1041502500
	N25x50-W	473	623	5,15	1041502501

Customised lengths and customised bores are configurable according data sheet "customised lengths".

Material: **16CrNi4Pb**  
 Working angle: **max. 90°**  
 Speed: **max. 1,000 rpm**

**EXT. TRANSMISSION WITH INTEGRAL YOKES**  
 (customised lengths)

Our extensible transmissions with integral yokes of **series S** are assembled almost without any backlash. They differentiate with an even **higher robustness against vibrations**.

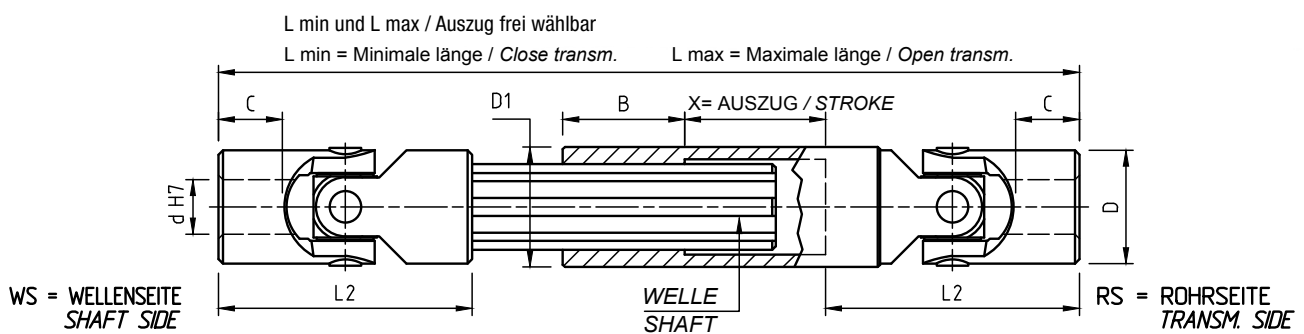


Type	d	D	L2	C	B	a	b	Shaft profile
SA16K	6	16	34	9	25	--	--	SKT 8
SA18K	8	18	40	11	30	--	--	SKT 10
SA22K	10	22	48	14	30	3	11,4	06x11x14
SA26K	12	26	56	16	40	4	13,8	06x13x16
SA29K	14	29	60	17	40	5	16,3	06x13x16
SA32K	16	32	68	20	40	5	18,3	06x16x20
SA37K	18	37	74	21	40	6	20,8	06x18x22
SA42K	20	42	82	23	45	6	22,8	06x21x25
SA47K	22	47	95	25	45	6	24,8	06x23x28
SA52K	25	52	108	29	45	8	28,3	06x26x32
SA58K	30	58	122	34	50	8	33,3	08x32x38

Material: 1.4301 (AISI 304)  
 Working angle: max. 90°  
 Speed: max. 500 rpm

**EXTENSIBLE TRANSMISSION**  
 (stainless steel)

Our single joints of **series X** are assembled almost without any backlash. Because of the **high resistance to corrosion** they are suited for **applications in a very aggressive environment (chemical-, food-, pharma-industry).**



Type	d	D	D1	L2	L1	C	B	a	b	V	SKT	Shaft profile
XA22K	10	22	22	48	24	12	25	3	11,4	10	10	06x11x14
XA25K	12	25	26	56	28	13	30	4	13,8	12	12	06x13x16
XA32K	16	32	33	68	34	16	30	5	18,3	16	16	06x16x20
XA42K	20	42	42	82	41	18	40	6	22,8	20	20	06x21x25
XA50K	25	50	48	108	54	26	40	8	28,3	25	25	06x26x32
XA58K	30	58	59	122	61	29	40	8	33,3	30	30	08x32x38